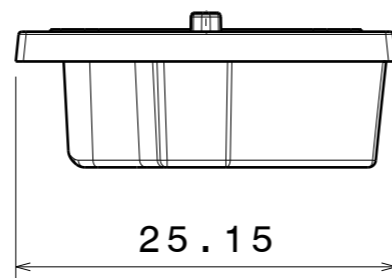
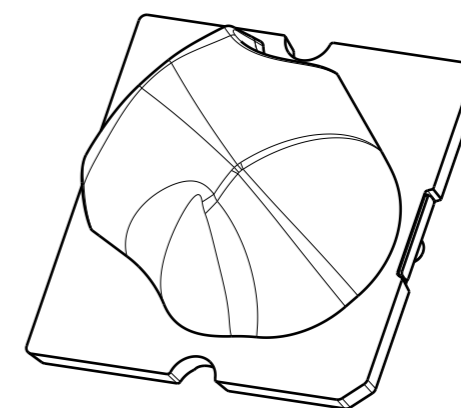
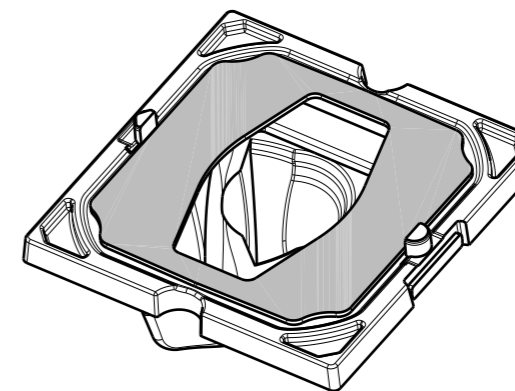


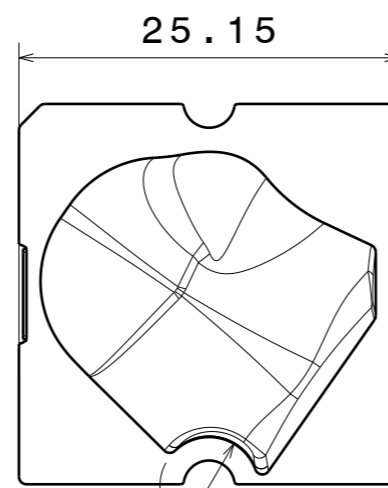
Front view



25.15



Isometric view

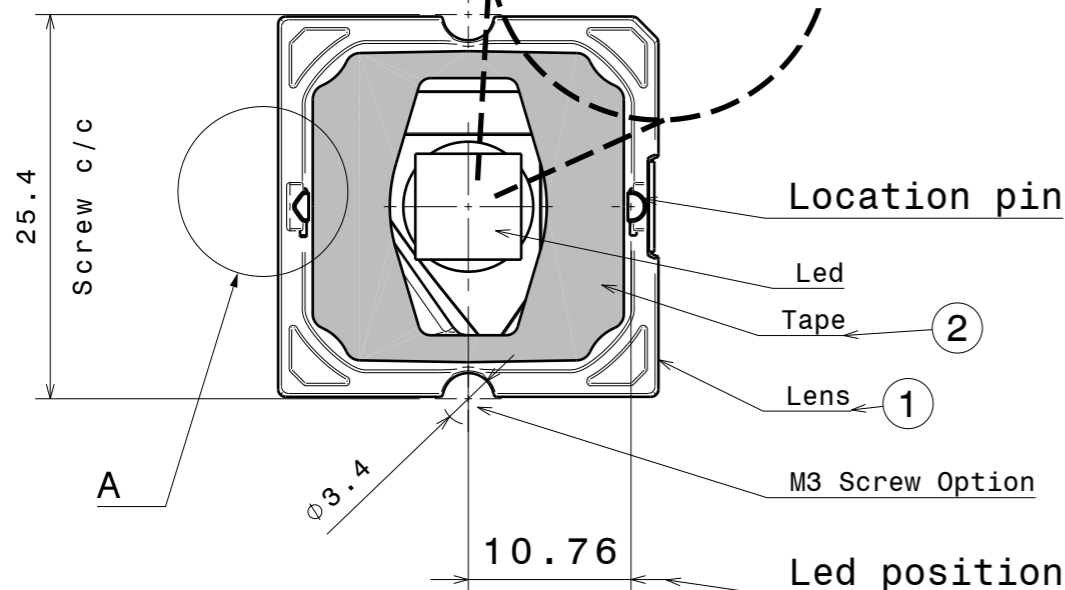


25.15

Ø6.5

Top view

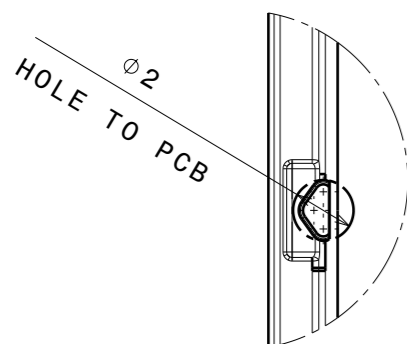
Bottom view



Beam Asymmetric Direction

Note:
 -Beam direction shown is above lamp to ground.
 -Location pin line along roadway.

INDEX	PART NO	DESCRIPTION	MATERIAL	COLOUR
2	TAPE		Acrylic foam	BLACK
1	C16168	STRADA-SQ-PX	PMMA	CLEAR

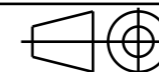


Detail A
 Scale: 4:1

Tolerances if not otherwise shown
 According to DIN ISO 2768-1
 Linear measures:
 Up to 30mm class M, otherwise class C.
 According to DIN ISO 2768-2
 Form and position: class L



Ledil Oy
 Salorankatu 10
 FIN 24240 SALO
 Finland



DRAWING TITLE
CA16169_STRADA-SQ-PX

This drawing is the property of LEDiL Oy. It may not be reproduced, copied or communicated without a written agreement with LEDiL Oy.

SIZE **A3** PART NUMBER **CA16169**

SCALE **2:1** WEIGHT **2,75 g** SHEET **1/1**